

# Installation and mounting manuals for **EK-Supreme** water block:

This product is intended for expert users. Please consult with a qualified technician for installation. Improper installation may result in damage to your components. EK Water Blocks assumes no liability whatsoever, expressed or implied, for the use of these products, nor their installation. The following instructions are subject to change without notice. Please visit our web site at [www.ekwaterblocks.com](http://www.ekwaterblocks.com) for updates.

**If you need to screw in the fittings, please use small amount of force otherwise the high flow fittings might break. The fittings do not need to be tightened with high force.**

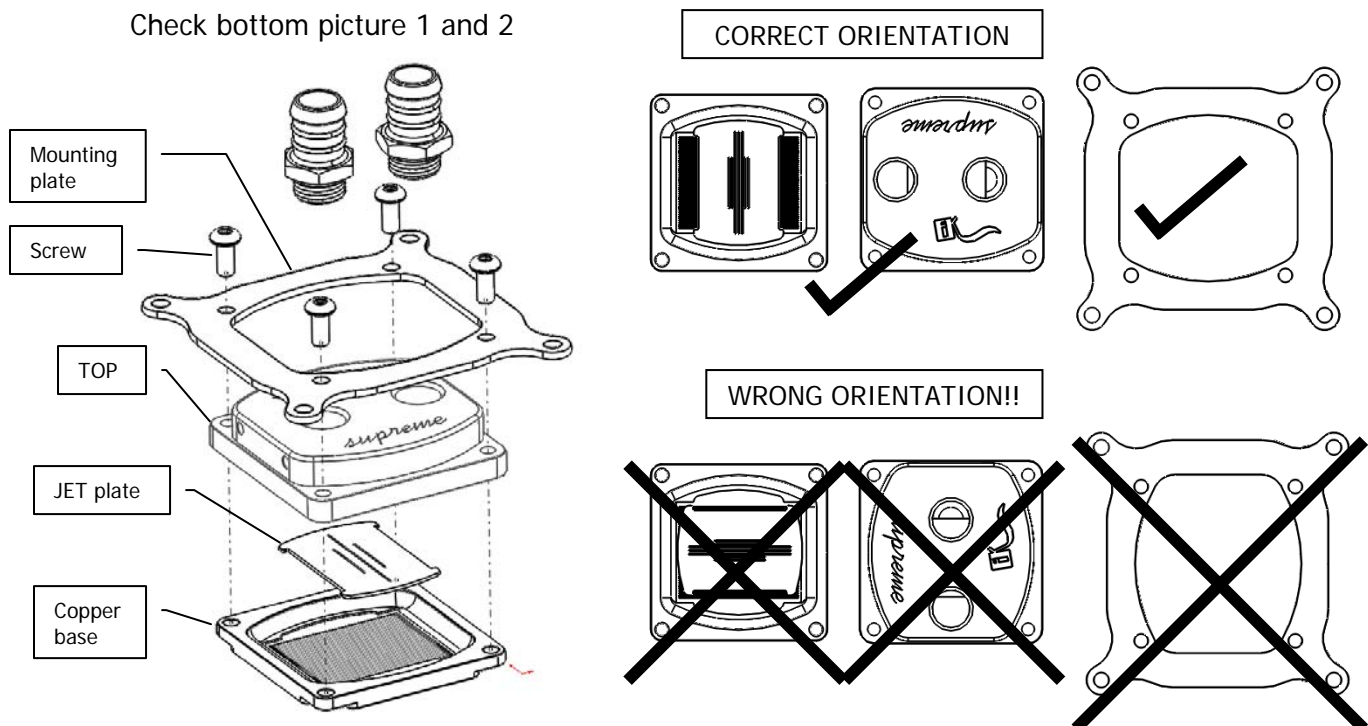
**Step 1.** Remove your motherboard from the computer.

**Step 2.** Remove plastic frame around the CPU area if mounted.

**STEP 3. REMOVE PLASTIC PROTECTION FOIL FROM THE POLISHED COPPER BASE!**

**Step 2.** If you need to replace mounting plate please be very careful not to apply too much force when reassembling the block. If you use too much force the copper thread could get damage or the top could break/crack.

Check bottom picture 1 and 2

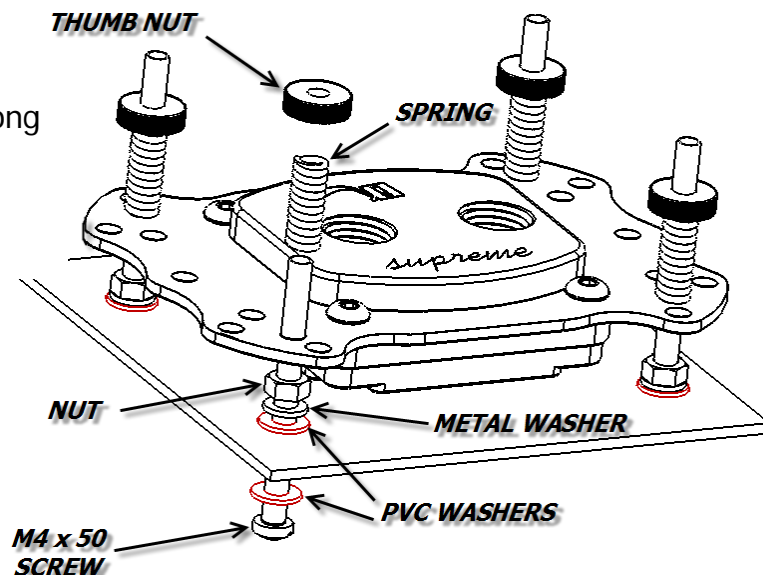


Picture 1 and 2: Orientation of EK-Supreme parts.

**Step 4.** EK-Supreme water block comes preinstalled with extreme bowed copper base surface. Therefore EK Water Blocks recommends usage of CPU retention back plate for perfect contact between CPU and water block.

**Step 5.** Install the long M4 screw with PVC washer, metal washer and M4 nut as seen on picture 3.

Picture 3: Instalation of long M4 screw (M4×55mm):



**Step 5.** Apply thermal compound: lightly coat the CPU with for example Céramique™ thermal compound. Follow this link [http://www.arcticsilver.com/ceramique\\_instructions.htm](http://www.arcticsilver.com/ceramique_instructions.htm) for detailed instructions.



← Rub some compound in base of water-block first, and then clean off with lint-free cloth.

Apply small → amount of compound on the CPU or CPU heat spreader.



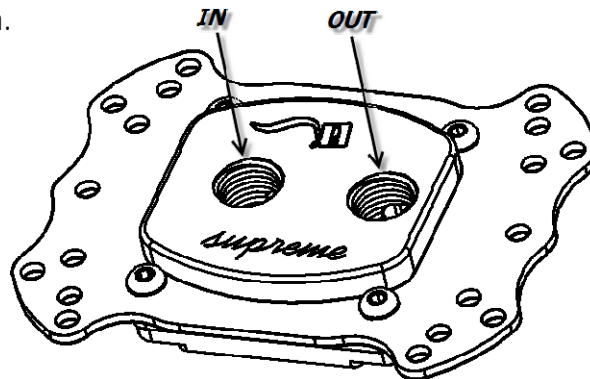
*Picture 4: Applying compound on water block.*

*Picture 5: Applying compound on processor.*

**Step 6a.** If you have installed retention back plate, you can use higher mounting force. Therefore you can compress springs more than without retention back plate.

**Step 6b.** If you don't have installed retention back plate, please be very careful when tightening thumb nuts because of motherboards PCB bending. If it bends too much motherboard might get damaged.

**Step 7.** Connect the water-block(s) to the cooling circuit and attach the tubes: Carefully identify the direction of the flow in your circuit. For the EK-SUPREME to operate properly, the fitting nearer the center of the water block **MUST BE USED AS THE INLET**. To secure the tubes stays properly on the fittings please use hose clamps or appropriate substitute. The use of an algacide is nonetheless recommended in any liquid cooling system.



*Picture 6: Water flow directions INLET and OUTLET.*

### **VERY IMPORTANT NOTICE**

Once the installation is completed, it is always a good idea to test the circuit for leaks, prior to powering up the computer. We recommend a 24 hour leak test prior to powering up the computer. Do not test the water block using city water pressure. This will bow the top of the housing and render the block unusable (and will void your warranty).

### **IMPORTANT DISCLOSURES:**

While all efforts have been made to provide the most comprehensive tutorial possible, EK Water Blocks assumes no liability expressed or implied for any damage(s) occurring to your components as a result of using EK Water Blocks cooling products, either due to mistake or omission on our part in the above instructions, or due to failure or defect in the EK Water Blocks cooling products.

### **WARRANTY:**

Our products are guaranteed for 24 months from the date of delivery to the final user against defects in materials or workmanship. During this period, they will be repaired or have parts replaced provided that: (I) the product is returned to the agent from which it was purchased; (II) the product has been purchased by the end user and not used for hire purposes; (III) the product has not been misused, handled carelessly, or other than in accordance with any instructions provided with respect to its use. This guarantee does not confer rights other than those expressly set out above and does not cover any claims for consequential loss or damage. This guarantee is offered as an extra benefit and does not affect your statutory rights as a consumer. **The guarantee is not valid if there are used aggressive UV additions.**